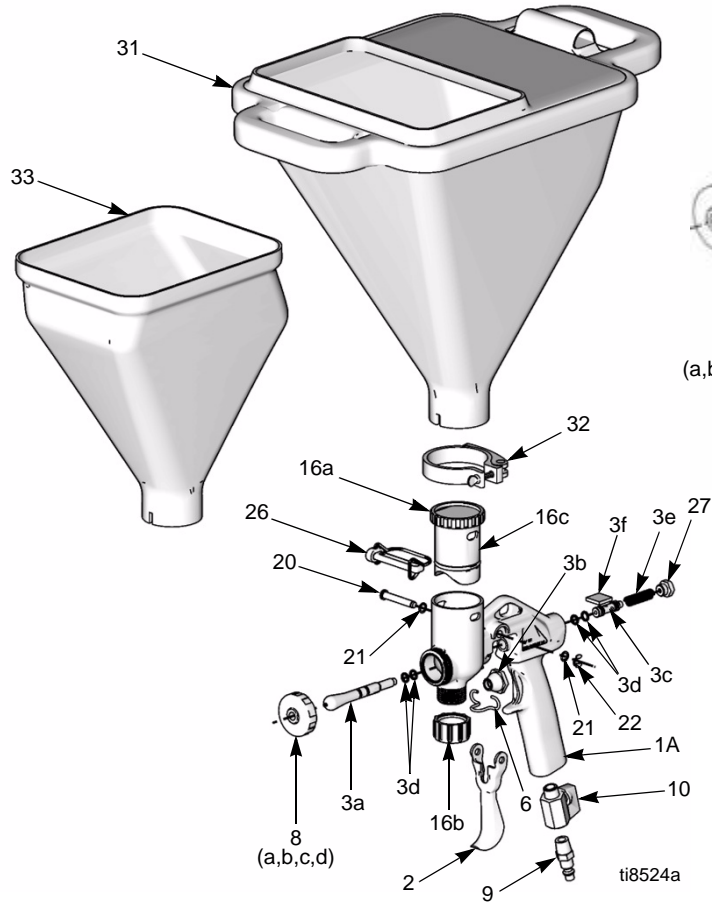
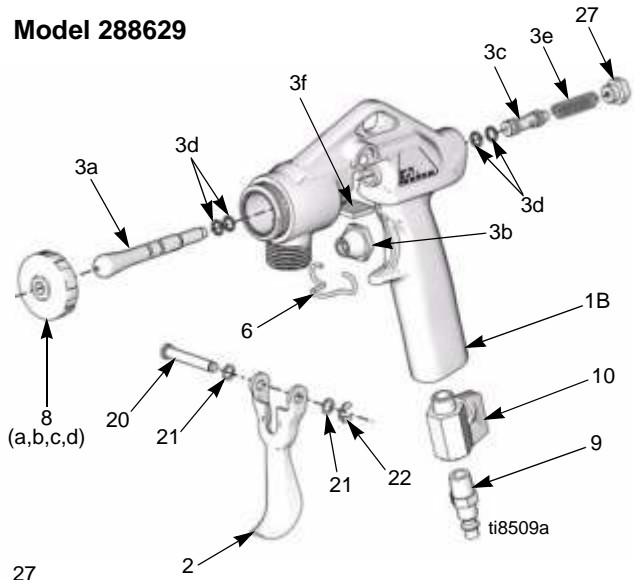


Parts

Model 288628 and 245924



Model 288629



Ref. Part	Description	Qty
A 288628	GUN, complete, (for use with hopper)	1
B 288629	GUN, complete, (non-hopper)	1
1A 277393	BODY, gun	1
1B 277394	BODY, gun	1
2 15F913	TRIGGER, gun, trigger	1
3 258000	KIT, needle, repair includes 3a, 3b, 3c, 3d, 3e, 3f	1
3a	NEEDLE, includes o-ring	
3b	NUT, flow adjuster	
3c	GUIDE, needle	
3d	O-RING	
3e	SPRING	
3f	TAPE, foam	
6 15B168	LOCK, trigger	1
8 234153	KIT, nozzle, includes 8a, 8b, 8c, 8d	1
8a	NOZZLE, fine, beige	
8b	NOZZLE, small, white	
8c	NOZZLE, medium, gray	
8d	NOZZLE, large, black	

Ref. Part	Description	Qty
9 169970	FITTING, line air	1
10 15B565	VALVE, ball	1
16 234162	KIT, plug, includes 16a, 16b, 16c	1
16a	PLUG, hopper	
16b	PLUG, hose, port	
16c	O-RING	
20 118717	PIN, clevis w/ring groove	1
21 107243	WASHER	2
22 115999	RING, retaining	1
26 287967	PIN, clip gun	1
27 15J635	PLUG	1
31 234225	KIT, hopper, 1.5 gallon (includes 32)	1
32 234188	CLAMP	1
33 234222	KIT, hopper, 0.75 gallon (includes 32)	1

Technical Data

Air Consumption	3.5-11 cfm at 15 to 100 psi
Weight	35 oz (1600 g)